



## **WIRE ELECTRIC DISCHARGE MACHINE FILTERS**

Manufacturing Forward





Mikropor began its journey in 1987 with a passion to create “Tomorrow’s Technology” and has become one of the leading manufacturers of atmospheric air filtration solutions and compressed air treatment systems for a variety of industries.

By closely following the latest developments in technology, Mikropor’s “Best in Class” products and solutions are appreciated by customers in more than 140 countries.

The company’s sustainable growth has been provided by its passion for innovation and commitment to quality, as well as its dedication to technology. Mikropor is an environmentally conscious company that values people, while developing products that extend the needs and expectations of customers.

With this mission, Mikropor continues to become one of the most recognized brands in the world by expanding its global penetration in the field of technological filtration and contributes to a healthier planet.

[mikroporamerica.com](http://mikroporamerica.com)

# Wire Electric Discharge Machine Filters

Mikropor WEDM filters can be used for metals like steel, aluminum, stainless steel, copper or any other ferrous or non-ferrous metals.

Service life of Mikropor WEDM filters may change according to the metals being used.

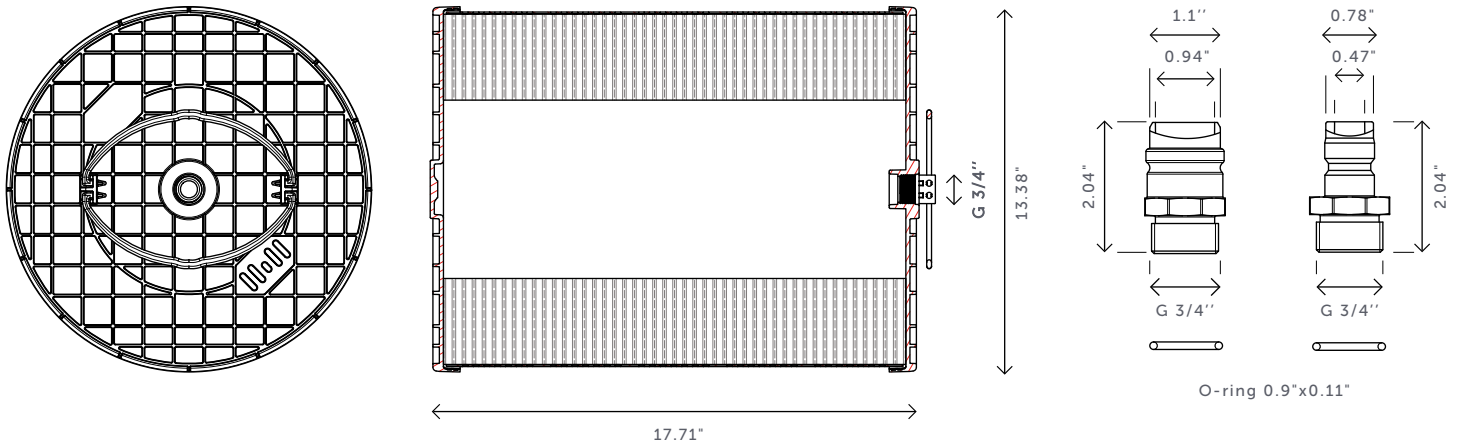
Dimensions and water connection types change as per WEDM machine which are Makino, Sodick, AgieCharmilles, Mitsubishi, Fanuc, SPM, Chmer etc.



## Features and Benefits

- Designed for all Wire Electric Discharge Machines
- Resistant to bursts
- Low pressure drop
- Excellent filtration
- High dust holding capacity
- Protected against corrosion
- Long service life
- Better performance
- Faster cutting speeds
- Better surface finish quality
- Less resin consumption
- Less machine depreciation
- Lower operating costs
- Stable conductivity

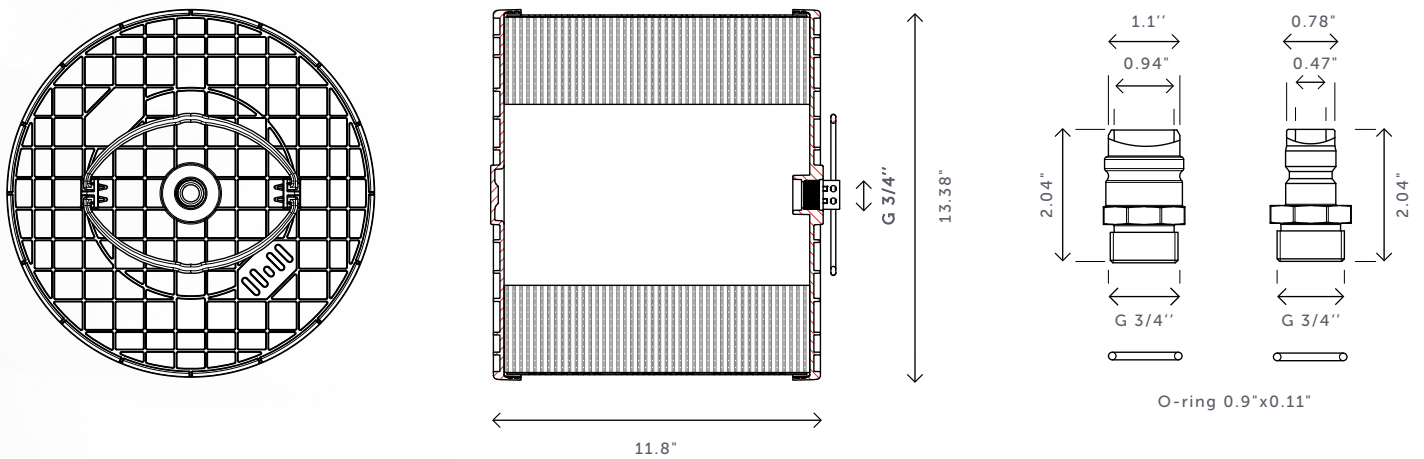
## (MEDMF-340-450-3/4-PK)



Model	Connection	Ø Height	Applicable for	Nominal Working Temperature	Max. Working Temperature	Normal Working Pressure	Min. Burst Pressure Drop
MEDMF 340-450-3/4-PK	2 pcs coupling	Ø13.38 H:17.71	AgieCharmilles Fanuc Mitsubishi	77 °F	176°F	58psi	50psi

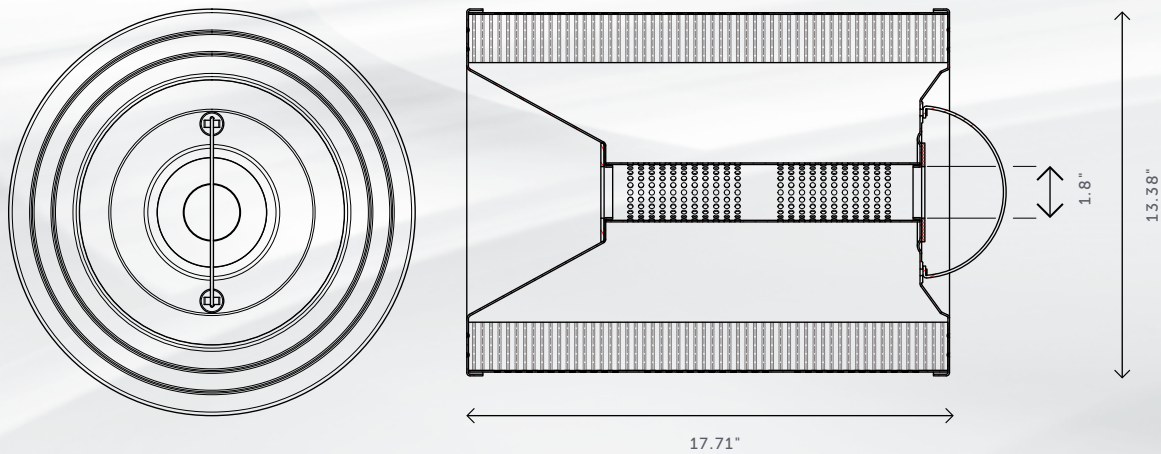


## MEDMF-340-300-3/4-PK



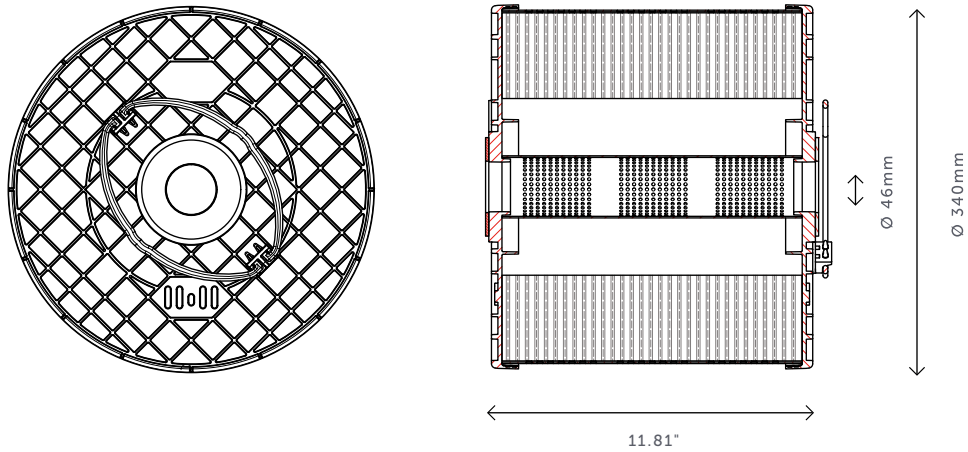
Model	Connection	Ø Height	Applicable for	Nominal Working Temperature	Max. Working Temperature	Normal Working Pressure	Min. Burst Pressure Drop
MEDMF 340-300-3/4-PK	2 pcs coupling	Ø13.38 H:11.1	AgieCharmilles Fanuc Makino Mitsubishi Seibu	77 °F	176°F	58psi	50psi

## MEDMF-340-450-46-PK



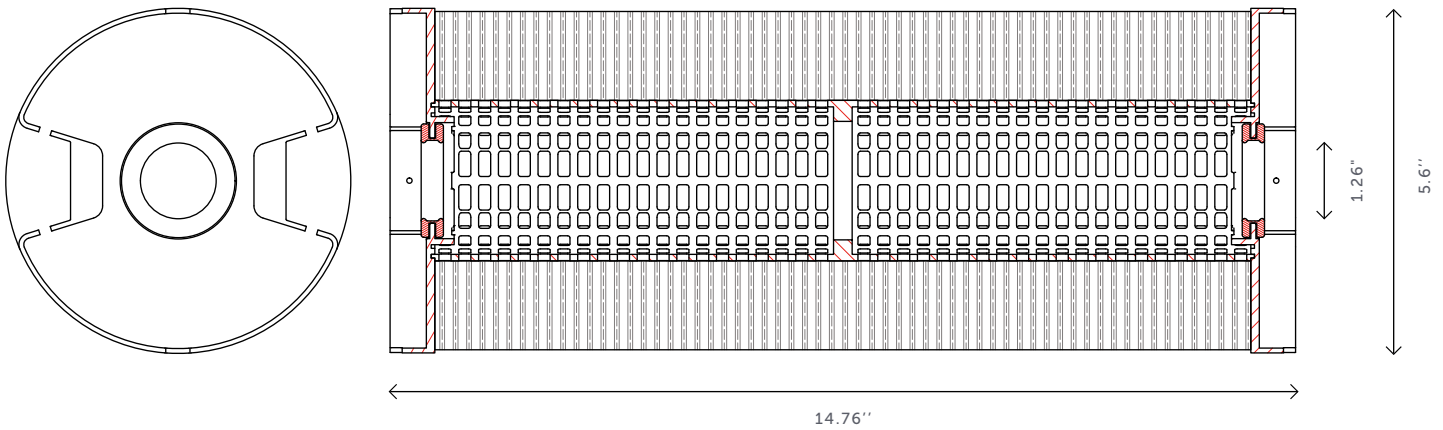
Model	Connection	Ø Height	Applicable for	Nominal Working Temperature	Max. Working Temperature	Normal Working Pressure	Min. Burst Pressure Drop
MEDMF 340-450-46-PK	46 mm dia hole with gasket	Ø340 H:17.71	Sodick	77 °F	176°F	58psi	50psi

## MEDMF-340-300-46-PK



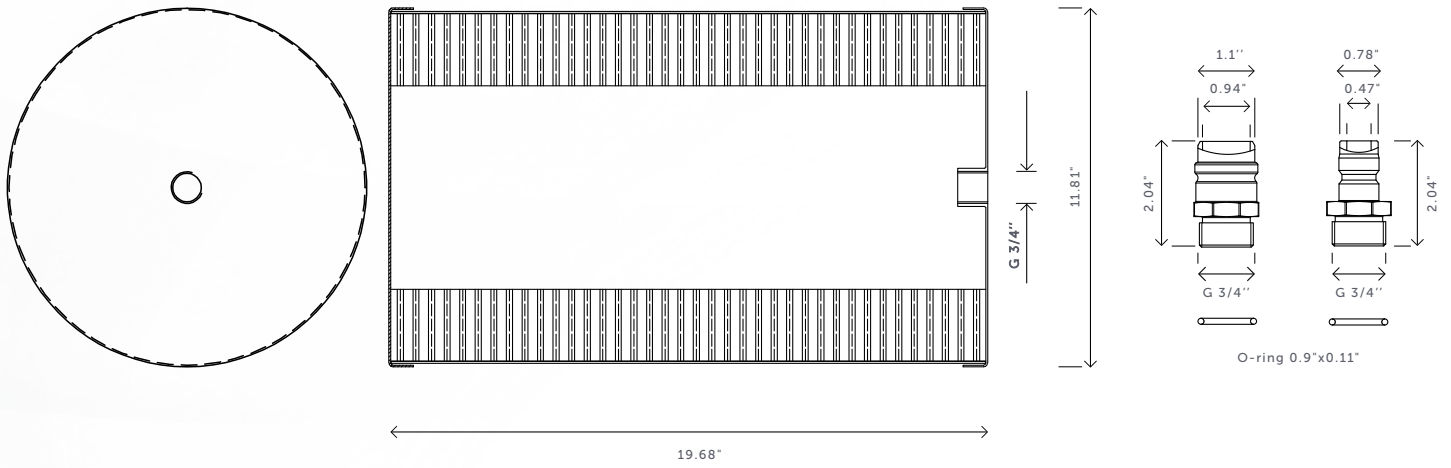
Model	Connection	Ø Height	Applicable for	Nominal Working Temperature	Max. Working Temperature	Normal Working Pressure	Min. Burst Pressure Drop
MEDMF 340-300-46-PK	2 pcs coupling	Ø340 H:11.81	AgieCharmilles Fanuc Sodick	77 °F	176°F	58psi	50psi

## MEDMF-142-375-32-PK



Model	Connection	Ø Height	Applicable for	Nominal Working Temperature	Max. Working Temperature	Normal Working Pressure	Min. Burst Pressure Drop
MEDMF 142-375-32-PK	1.26" dia hole with gasket	Ø5.59 H:14.76	AgieCharmilles	77 °F	176°F	58psi	50psi

# MEDMF-300-500-3/4 SK





Model	Connection	Ø Height	Applicable for	Nominal Working Temperature	Max. Working Temperature	Normal Working Pressure	Min. Burst Pressure Drop
MEDMF 300-500-3/4 SK	2 pcs coupling	Ø11.81 H:19.68	Chmer	77 °F	176°F	58psi	50psi



Mikropor America Inc.

4921 Ohio Street, Michigan City, IN 46360

☎ 219.878.1550 ✉ [support@mikropor.com](mailto:support@mikropor.com)

  **mikropor**

[mikroporamerica.com](http://mikroporamerica.com)